

OV7955 NTSC product brief



available in
a lead-free
package

Driving Down the Cost of Rear-View Cameras

The OV7955 is a low-cost, high-performance analog and digital image sensor designed specifically for mainstream automotive applications. The AEC-Q100 Grade 2 qualified OV7955 offers superior low-light sensitivity in an ultra-compact module size, making it an ideal camera solution for rear-view, surround-view and blind spot detection systems.

Additionally, the OV7955 offers features new to the automotive industry, including built-in memory for initialization, which reduces a camera's overall bill of materials and size. The crop and resize feature allows the same camera module to be designed into virtually any vehicle platform without requiring additional mechanical adjustments.

Utilizing OmniVision's proprietary high-sensitivity OmniPixel®3-HS pixel architecture, the sensor offers industry-leading low-light sensitivity of 16 V/lux-sec and excellent signal-to-noise-ratio (SNR).

The OV7955 features the industry's smallest AEC-Q100 qualified automotive package (a-CSP™), measuring only 5.7 x 5.4 mm, and offers an operating temperature range of -40°C and 105°C.

Find out more at www.ovt.com.



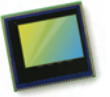
Applications

- Rear View Camera
- Surround View
- Smart Automotive Camera
- Drive Recorder
- Lane Departure Warning
- Blind Spot Detection
- Night Vision with Active Illumination

Product Features

- AEC-Q100 Grade 2 qualified
- crop and re-size
- low power consumption
- low dark current
- NTSC TV output (to reduce image artifacts from Infrared light, and provide the best image quality, OmniVision recommends an IR cut filter)
- overlay with two layers, eight colors, and four transparencies
- 1280 bits of one time programmable memory (OTP)
- high sensitivity
- SPI master for overlay images and loading setting
- dynamic overlay controls
- automatic exposure/gain with 16 zone control
- defective pixel correction
- auto white balance control
- slave compatible serial camera control bus (SCCB) control interface for register programming

OV7955



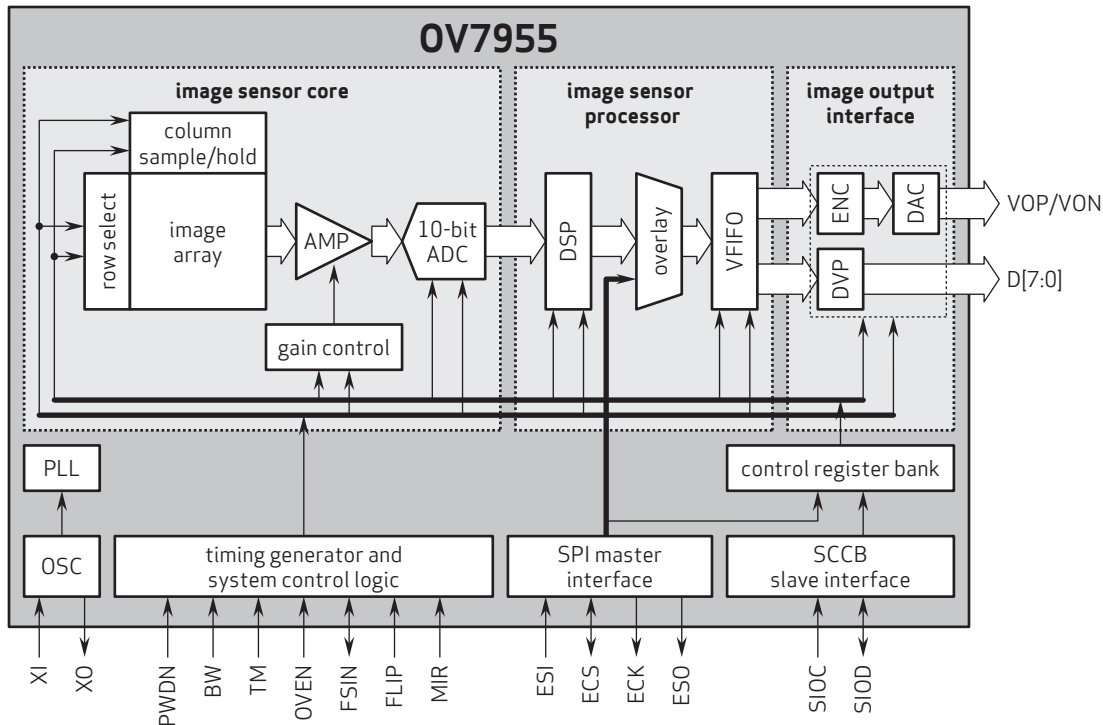
Ordering Information

- **OV07955-N53V-PE** (color, NTSC, lead-free)
53-pin a-CSP™, rev 2E, 50°C with protective film in tray

Product Specifications

- **active array size:** 672 x 492
- **maximum image transfer rate:**
- VGA: 60 frames per second (DV)
- NTSC: 60 fields per second (TV)
- **power supply:**
- core: 1.5V
- analog: 3.14 - 3.47V
- I/O: 1.7 - 3.47V
- **minimum exposure time:** 31.75 μs
- **power requirements:**
- active: 200 mW
- standby: 20 μA
- **sensitivity:** 16 V/lux-sec
- **shutter:** rolling shutter
- **max S/N ratio:** 38 dB
- **temperature range:**
- operating: -40°C to +105°C ambient temperature and -40°C to +115°C junction temperature
- **dynamic range:** 71 dB @ 8x gain
- **output formats:** NTSC (TV port),
VGA (DV port)
- **scan mode:** progressive
- **optical size:** 1/3.7" (NTSC)
- **pixel size:** 6.0 μm x 6.0 μm
- **image area:** 4032 μm x 2952 μm
- **lens chief ray angle:** supports up to 25°
- **package dimensions:**
- a-CSP™: 5660 μm x 5360 μm

Functional Block Diagram



4275 Burton Drive
Santa Clara, CA 95054
USA

Tel: +1 408 567 3000
Fax: +1 408 567 3001
www.ovt.com

OmniVision reserves the right to make changes to their products or to discontinue any product or service without further notice. OmniVision, the OmniVision logo and OmniPixel are registered trademarks of OmniVision Technologies, Inc. a-CSP is a trademark of OmniVision Technologies, Inc. All other trademarks are the property of their respective owners.



OmniVision