



OVMed®

OH0137 Mini Class ISP Module product brief



Medical Imaging System with Wireless Output

OmniVision's OVMed® OH0137 is an advanced image system solution that offers optimized, industry-leading feature set and image quality. Designed specifically to pair with OmniVision's high-performance medical image sensors, the OVMed® OH0137 system combines this ISP with an analog-to-digital-conversion (ADC) and Wi-Fi transmitter.

The OVMed® OH0137 image processing unit offers a low-power ISP solution with user-configurable buttons and wireless control, allowing customers to easily integrate an ISP into their medical imaging devices, in a cost-effective, quick time-to-market manner.

Find out more at www.ovt.com.



Applications

- Medical Endoscopes and Catheters
- Industrial Video Scopes
- Veterinarian Endoscopes
- Security and Surveillance Monitoring Systems

Product Features

- Integrated design:
 - Sensor
 - Processor bridge
 - ISP
 - Wi-Fi module
- 4-pin or 10-pin mixed-signal interface for OmniVision medical image sensors
- Advanced ISP delivers high-quality image sizes:
 - 400 x 400
 - 200 x 200
- Software tool for customer setting adjustments, easily adjustable system parameters including brightness, contrast, and saturation
- Supports AEC/AGC/AWB control
- Reconfigurable camera and display / control connected wirelessly
- Market-ready, end-to-end solution
- Supports most wireless platforms:
 - Android
 - iOS
- Software development kits (SDK) support customers developing their applications
- Supports battery power: 6.5 hours operation per full battery change

Product Specifications

- Board size:
 - L: 84 mm, W: 20 mm, H: 12 mm
- Standard 5V power supply
- Battery power switch: 1
- Power buttons: 1
- Input connector: 4-pin OmniVision AA module; 10-pin connector
- Power and charge connector:
 - Micro USB
- Wireless antenna: 1
- Wireless output: IEEE802.11 ac with 5 GHz frequency
- Image output formats: motion JPEG
- Image capture rate: 30 fps

OVMed® OH0137



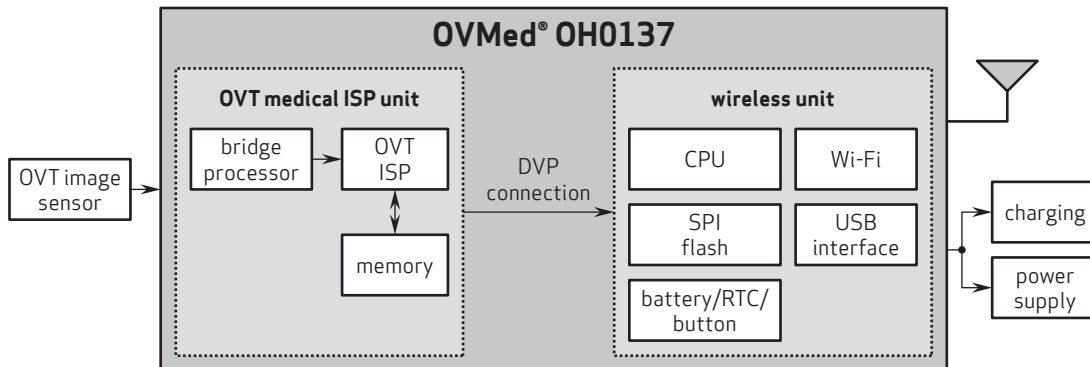
Ordering Information

- **Contact Sales Rep**
OVMed® OH0137 output board for OVMed® ISP (E2)

Package includes:

- OmniVision camera AA module/daughter board with OV6946 image sensor
- PCB motherboard with OV6946 interface
- USB power adapter
- USB cable with micro USB connector
- Rechargeable battery
- CD-ROM containing:
 - Setup program
 - User manual
 - Hardware manual
 - SDK development guide

Functional Block Diagram



4275 Burton Drive
Santa Clara, CA 95054
USA

Tel: + 1 408 567 3000
Fax: + 1 408 567 3001
www.ovt.com

OmniVision reserves the right to make changes to their products or to discontinue any product or service without further notice. OmniVision and the OmniVision logo are registered trademarks of OmniVision Technologies, Inc. OVMed is a registered trademark of OmniVision Technologies, Inc. in the United States. All other trademarks are the property of their respective owners.



OmniVision