



OV64B 64-megapixel product brief



64 Megapixel, 0.7 Micron, 1/2" Optical Format Image Sensor for Ultra-Thin, High-End Smartphone Cameras



available in
a lead-free
package

OmniVision's OV64B is a 64 megapixel (MP) image sensor with a 0.7 micron pixel size and a 1/2" optical format, enabling high-end and high-mainstream mobile designers to create the thinnest possible smartphones with high resolution 64MP cameras. Built on OmniVision's PureCel[®]Plus stacked die technology, this sensor provides leading-edge still image captures and exceptional 4K video recordings with electronic image stabilization (EIS), as well as 8K video at 30 frames per second (fps). These features make the OV64B ideal for the main, wide, ultra-wide or telephoto rear-facing camera in multicamera configurations.

This image sensor supports 3-exposure, staggered HDR timing for up to 16MP video modes. It integrates a 4-cell color filter array and on-chip hardware re-mosaic, which provides high quality, 64MP Bayer output in real time. In low light conditions, this sensor can use near-pixel binning

to output a 16MP image with 4X the sensitivity, offering 1.4 micron equivalent performance for previews and still captures. In either case, the OV64B can consistently capture the best quality images, while enabling 2X digital crop zoom with 16MP resolution and fast mode switch.

The OV64B offers type-2, 2x2 microlens phase detection autofocus (ML-PDAF) to boost autofocus accuracy, especially in low light. It also provides a CPHY interface for greater throughput using fewer pins, and supports slow motion video for 1080p at 240 fps and 720p at 480 fps. Other output formats include 64MP at 15 fps, 8K video at 30 fps, 16MP captures with 4-cell binning at 30 fps, 4K video at 60 fps and 4K video with EIS at 30 fps.

Find out more at www.ovt.com.



OmniVision.

Applications

- Smart Phones
- Video Conferencing
- PC Multimedia

Product Features

- automatic black level calibration (ABLC)
- programmable controls for:
 - frame rate
 - mirror and flip
 - binning
 - cropping
 - windowing
- support for dynamic DPC
- supports output formats:
 - 10-bit RGB 4C non-HDR
 - 10-bit RGB Bayer non-HDR
- supports horizontal and vertical subsampling
- supports typical images sizes:
 - 9248 x 6944
 - 7680 x 4320
 - 4624 x 4320
 - 3840 x 2160
 - 1920 x 1080
 - 1280 x 720
- standard serial SCCB interface
- up to 4-lane MIPI TX interface with speed up to 3.0 Gbps/lane
- 2/3 trio CPHY interface, up to 2.45 Gbps/trio
- supports type 2x2x2 ML PDAF
- 4-cell support:
 - 4-cell binning
 - 4-cell full
- HDR support:
 - stagger HDR 2/3 exposure timing
- on-chip 4-cell to Bayer converter
- three on-chip phase lock loops (PLLs)
- programmable I/O drive capability
- built-in temperature sensor
- 0.702 μm pixel

OV64B



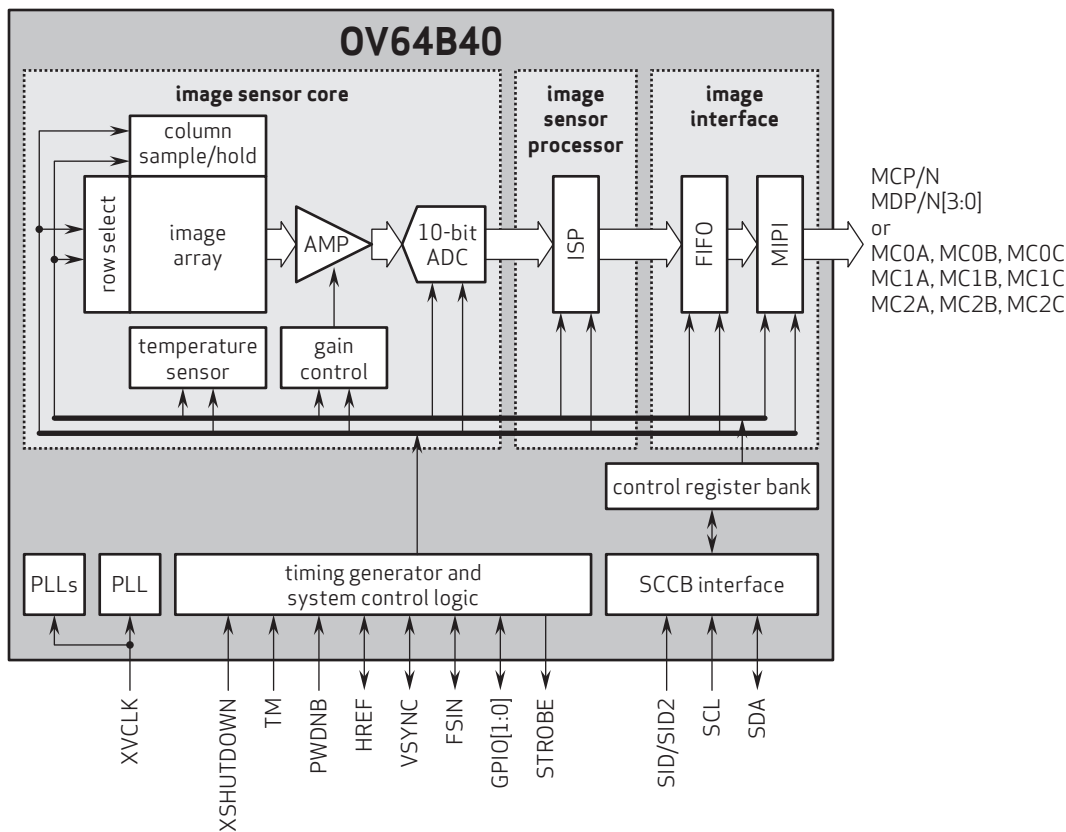
Ordering Information

- OV64B40-GA5A-002A-Z**
(color, chip probing, 150 μm backgrinding, reconstructed wafer with good die)

Product Specifications

- active array size:** 9248 x 6944
- output formats:** 10-bit RGB RAW
- power supply:**
 - core: 1.1V
 - analog: 2.8V
 - I/O: 1.8V
- input clock frequency:** 6 - 27 MHz
- lens size:** 1/2"
- lens chief ray angle:** 34.55° non-linear
- power requirements:**
 - standby: <10 μA
- maximum image transfer rate:**
 - 9248 x 6944: 15 fps
- scan mode:** progressive
- temperature range:**
 - operating: -30°C to +85°C junction temperature
 - stable: 0°C to +60°C junction temperature
- pixel size:** 0.702 μm x 0.702 μm
- image area:** 6514.56 μm x 4897.152 μm

Functional Block Diagram



4275 Burton Drive
Santa Clara, CA 95054
USA

Tel: +1 408 567 3000
Fax: +1 408 567 3001
www.ovt.com

OmniVision reserves the right to make changes to their products or to discontinue any product or service without further notice. OmniVision, the OmniVision logo and PureCel are registered trademarks of OmniVision Technologies, Inc. All other trademarks are the property of their respective owners.



OmniVision