



# OVMed<sup>®</sup>-0116 Mini Class Medical Image Signal Processor Module product brief



## USB Module is Cost-Effective and Compact for Endoscopes and Catheters



available in  
a lead-free  
package

OmniVision's OVMed<sup>®</sup>-0116 is an ASIC-based, stand-alone image signal processor (ISP) module with USB output. Designed to pair with our high-performance medical image sensors, the OVMed<sup>®</sup>-0116 provides a small and cost-effective option for catheters and single-use and reusable endoscope handles.

The OVMed<sup>®</sup>-0116 module can be quickly and easily integrated into medical imaging systems, allowing customers to fully utilize the many performance and imaging capabilities this compact module has to offer without extending time-to-market.

Find out more at [www.ovt.com](http://www.ovt.com).



## Applications

- Medical Endoscopes
- Industrial Video Scopes
- Veterinarian Endoscopes
- Security and Surveillance Monitoring Systems
- Dental Imaging

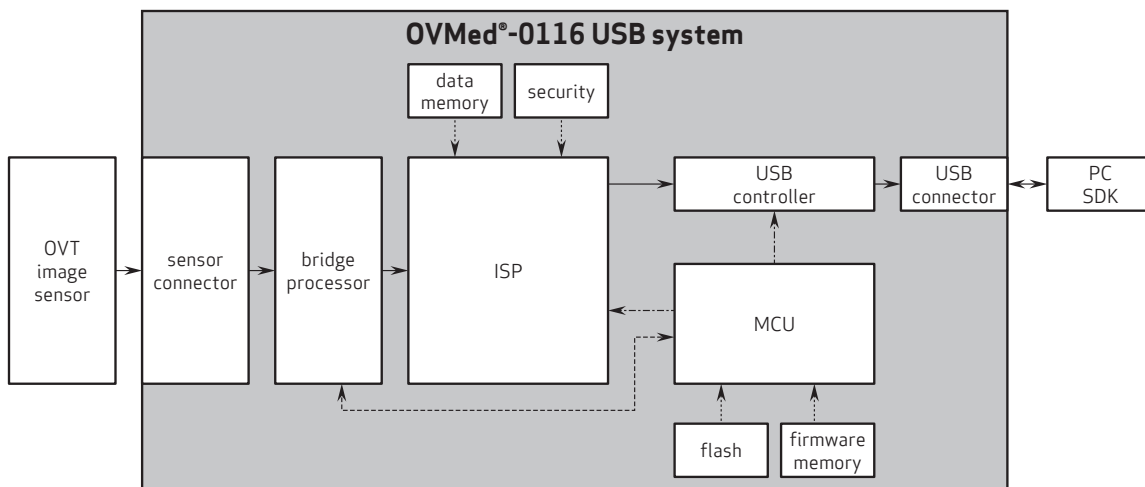
## Product Features

- Intergrated design:
  - Sensors
  - Interface
  - Analog-to-digital converter
  - Processor bridge
  - ISP
  - PC interface
- Compact form factor to fit space-constrained devices
- Adjustable system parameters with predefined buttons
- Advanced ISP delivers high-quality images
- Ready-to-use software development kit (SDK) to facilitate easy integration
- Software compatibility with:
  - Windows
  - Linux
  - Android platforms
- Power-on time: <300 ms
- System latency: <160 ms

## Product Specifications

- Supports images up to 400 x 400 pixel
- YUV image format
- Sensor interface to 4-pin mixed-signal interface
- Output interface to USB 2.0 interface
- Supports AEC/AGC/AWB control
- Supports brightness, saturation and sharpness adjustment
- Supports:
  - Lens shading compensation
  - Defect pixel connection
  - De-noise
  - Black level compensation
- Support for nonvolatile memory to store production and calibration data
- Certified for RoHS, REACH, IEC 60601 (limited), IEC 623204

## Functional Block Diagram



4275 Burton Drive  
Santa Clara, CA 95054  
USA

Tel: + 1 408 567 3000  
Fax: + 1 408 567 3001  
www.ovt.com

OmniVision reserves the right to make changes to their products or to discontinue any product or service without further notice. OmniVision, the OmniVision logo and OVMed are registered trademarks of OmniVision Technologies, Inc. All other trademarks are the property of their respective owners.

# OVMed<sup>®</sup>-0116



## Ordering Information

- **OH00000-EG02-1A-0116**  
OVMed<sup>®</sup> ISP (mini) with USB output

Package Includes:  
 - OmniVision camera AA module with OV6946 image sensor  
 - PCB board for OV6946 interface  
 - USB cable with USB mini connector  
 - CD-ROM containing:
 

- Installation program
- OVMed\_SDK\_Install\_Guide
- OVMed\_SDK\_User\_Guide
- Demo programs with source code



## Software Development Kit (SDK)

- Board comes with SDK to help customers develop their own applications. SDK provides a C++ callable function library
- Main Features:
  - Provides system initialization
  - Provides interface to capture image
  - Easy for customers to develop their own GUI and applications
  - User does not need to modify hardware or registers
  - Provides demo program to show how to use the APIs
  - All demo programs come with executable and source code
  - Library is provided in binary (DLL) format
  - Supports Windows OS, Mac OS and Linux OS

## Mechanical Specifications

- Size: L: 60 mm, W: 16 mm
- Power switch: 1
- Predefined adjustment button: 7
- Input connector: 4-pin OmniVision AA module; 10-pin connector
- Output USB connector: Micro USB

